



# Your partner for primary rubber packaging components

Samsung Medical Rubber



## About Samsung Medical Rubber

---

Samsung was founded in 1979 as a supplier of high quality components for the medical and pharmaceutical industry. From the very beginning this was the long-term objective on which our activities, resources and investments were focused. After 4 decades of uninterrupted successful growth Samsung is now taking a new step towards the future through the development of a worldwide manufacturing and commercial presence.

## Our Mission

---

We are a reliable partner of our customers in the development and supply of high quality products and services that contribute to make the world a healthier and safer place. We want to reach this target through a long-term cooperation with our business partners based on the reciprocal trust and mutual success.

## Our Vision and Values

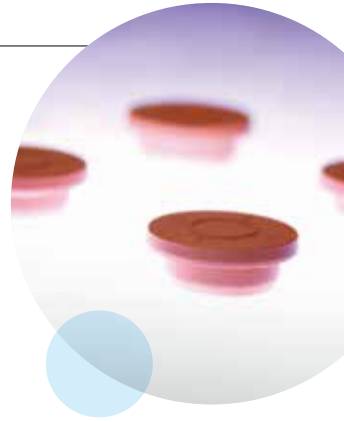
---

The success of our activity is closely related to the success of our business partners on the long term. Samsung dream is to become a leader in our activity. We believe that we can reach this target by applying to all our activities the following values:

- Uncompromised Business Ethics
- Trust and Respect for every individual and organization
- Responsibility towards our workers and shareholders, our business partners, our social environment
- Honesty and transparency in all activity and communication

## History

- 2016. New Plant in Hwaseong
- 2014. ISO 15378
- 2012. R&D: optimized modern formulation
- 2010. Plant in Ansan: expansion and upgrade
- 2008. FDA DMF Type III deposited
- 2004. ISO 13485 Certificate
- 2000. Selected as "Excellent Company for Innovation" by Korean Government
- 1999. Patent for ETFE coated stoppers
- 1998. ISO 9001 Certified
- 1993. K.S. (Korea Standard) Mark awarded by Korean Government
- 1991. Factory, SMRC(M) SDN. BHD. Establishment in Malaysia
- 1985. Technical Agreement with Naniwa Rubber
- 1985. R&D Cooperation with KAIST (Korea Advanced Institute of Science & Technology)
- 1985. Plant in Ansan
- 1980. KP/JP compliance obtained
- 1979. Company foundation in SeongNam



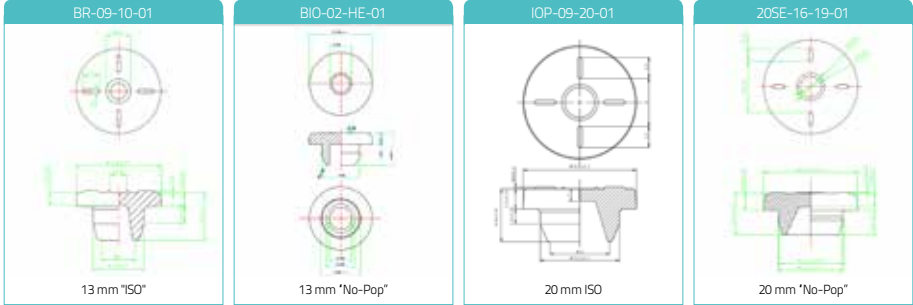
## Process flow and quality concept



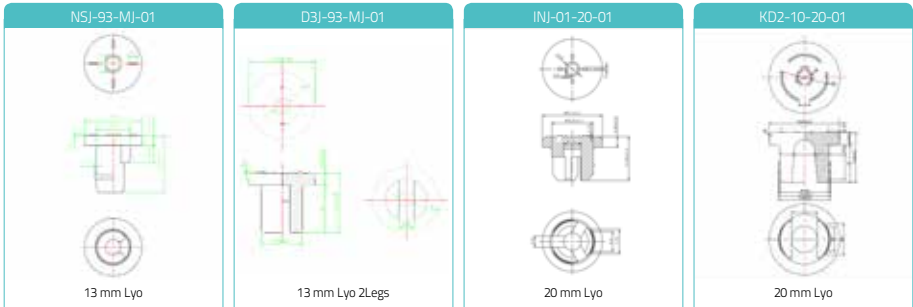
# Long Term Contact Application

## Small Volume Parenterals

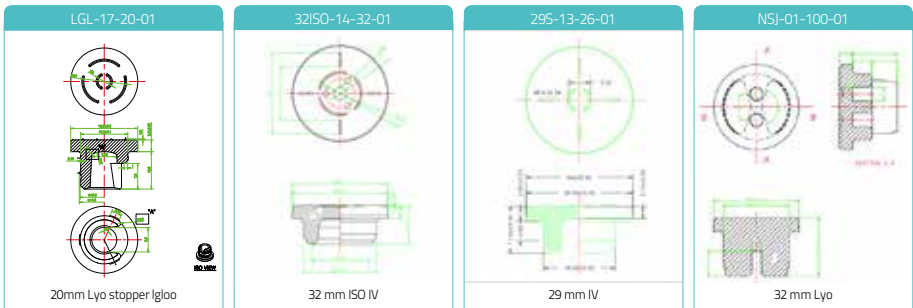
Liquid & Sterile Powder standard designs



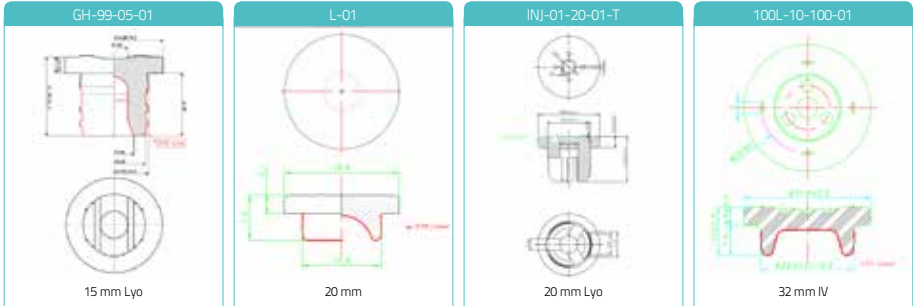
Freeze-drying standard designs



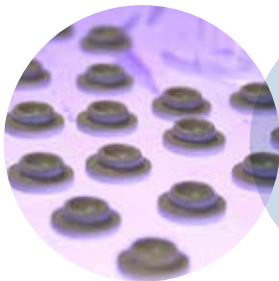
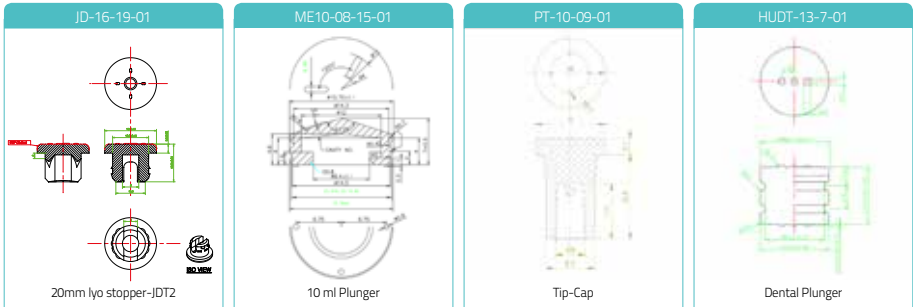
## Large Volume Parenterals



Film Coated



Prefilled syringes and cartridges

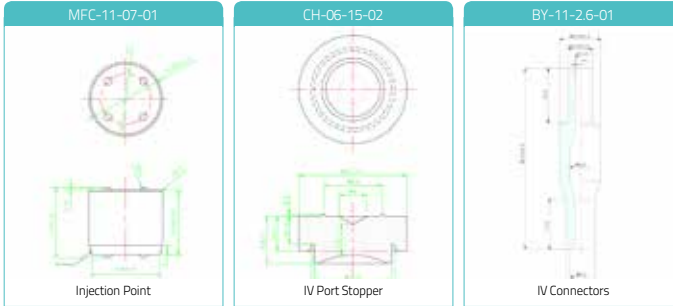


Samsung  
Medical  
Rubber

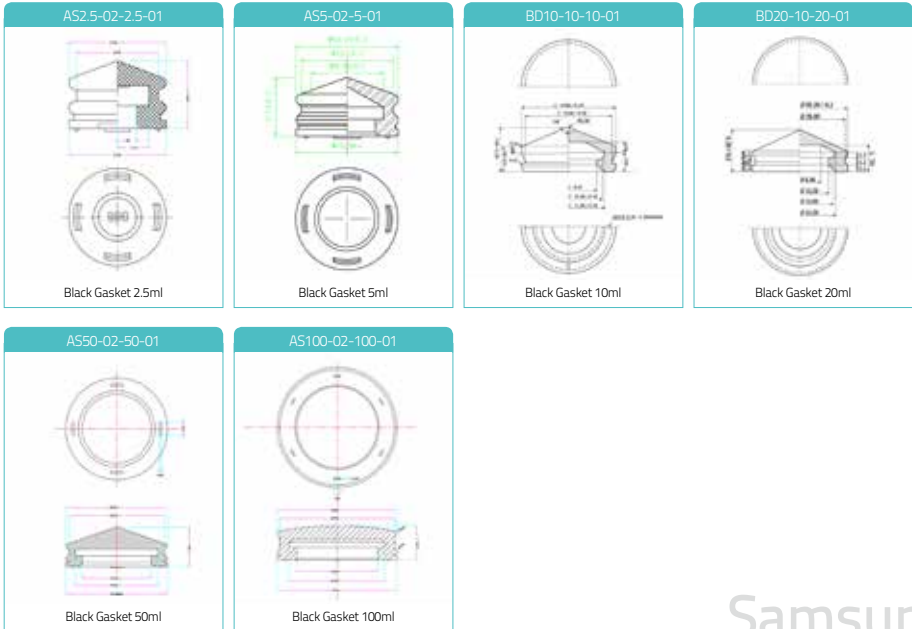
# Short Term Contact Application

## Short Term Contact and Diagnostic Application

### IV Components: Injection ports and giving sets



### Gaskets



Samsung  
Medical  
Rubber

# Our Offer For Your Needs



## Modern formulations to address all needs

---

A limited assortment of modern high performance, low extractables formulations provides our customers with ideal solution for a wide range of APIs in different dosage forms.



## Product design portfolio in line with most common International standard

---

Our standard components are compatible with high-speed filling lines and ideally matching with the other primary packaging components to provide flawless machinability and excellent functionality.



## Final treatment for all application

---

Our surface treatments include siliconization and inert coating designed to satisfy the requirements of our customers in all respects.

Washing cycle with WFI in Cleanroom Class A/ ISO 5

**SECT** : Samsung Emulsion Coating Treatment

**SLPC** : Samsung Low Particle Coating

**SPIC Samsung Proprietary Inert Coating** : ETFE coating on standard formulation and most common design on drug-contact and/or top side of the closure.

**Primary Packaging** Sterilizable Packaging, Gamma Irradiatable Packaging, Bulk Packaging

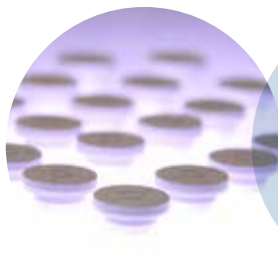
**Extra Treatment** Gamma Irradiation

**Camera Inspection SICV** Samsung Inspection Camera Vision

**Certificate of Analysis in compliance with the requirements of USP, EP and JP**

**ISO Certificate** ISO 9001 and ISO 15378

**Technical Support** Our Technical Team provides assistance in all phases of the Product development



Samsung  
Medical  
Rubber



56, Jeongoksandan 4-gil, Seosin-myeon, Hwaseong-si, Gyeonggi-do, Korea  
TEL. 82-31-491-8071-3, FAX. 82-31-491-8074

[www.samsungrubber.com](http://www.samsungrubber.com)

